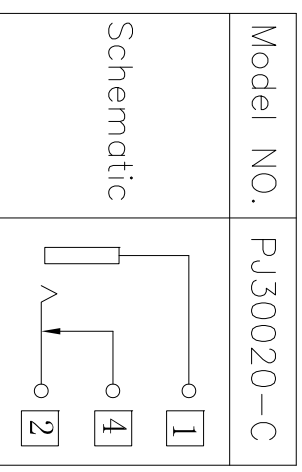
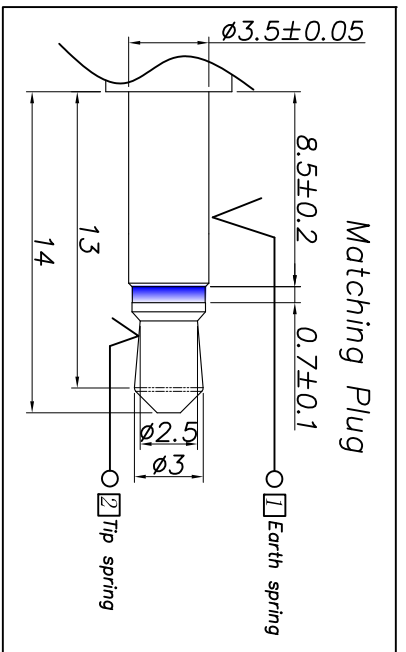
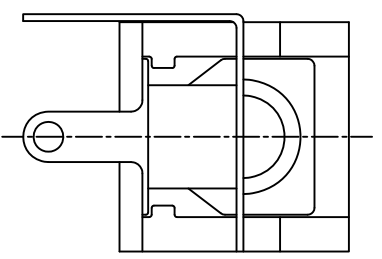
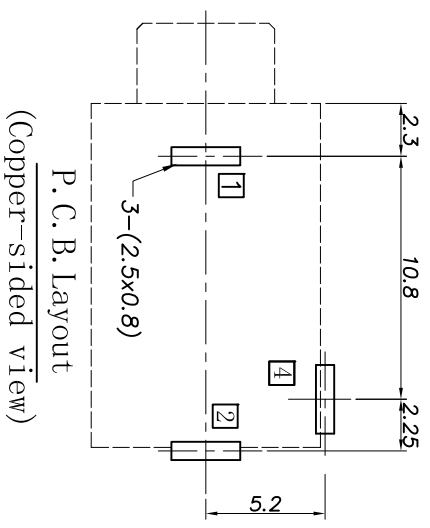
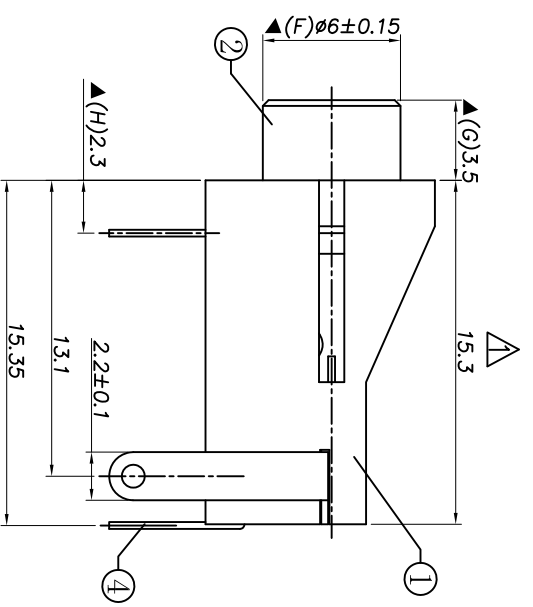
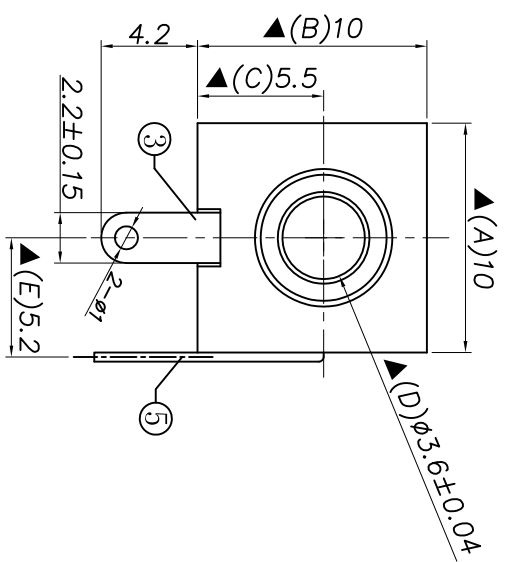


REV. LTR.	DESCRIPTION	SIGN	DATE
△	長度尺寸調為15.3mm	Water	2020.04.22.



□: TERMINAL NO.

SPECIFICATION

1. Rating : DC 30V 0.5A;
2. Contact resistance: $\leq 50m\Omega$;
3. Insulation resistance: $\geq 100M\Omega$ (DC250V) ;
4. Withstand voltage: 500VAC ;
5. Insertion and extraction force: 3-30N;
6. Life test: 5,000 cycles.
7. Sign "△" is importance dimension

NO.	DESCRIPTION	QTY	MATERIAL	PLATING
⑤	Shunt terminal	4	Brass	Sn-Plating
④	Tip spring	2	Manganese steel (65mn)	Sn-Plating
③	Earth spring	1	Brass	Sn-Plating
②	Bushing	1	Brass	Ni-Sn-Plating
①	Housing	1	PA66	Black

UNIT:MM	TYPE:	MODEL NO:	PAPER NO: A4	PAGE 1 OF 1
	$\phi 3.5$ PHONE JACK	PJ30020-C	TOLERANCE ANGLES	SCALE
			± 0.3	FULL
DESIGNER BY:	Zhuhong	2009/9/28		VER
CHECK BY:				1
APPROVED BY:				

承永實業有限公司
BLUE SOURCES ELECTRONICS CO.,LTD.